

QPD4-2000-18000-30-N

4-Way, 2~18GHz

Features:
 * Small Size
 * Low Insertion Loss

Applications:
 * Amplifiers
 * Mixers
 * Antennas
 * Laboratory Test

Electrical

Frequency:	2~18GHz
Insertion Loss:	2.2dB max.
Input VSWR:	1.6 max.
Output VSWR:	1.5 max.
Isolation:	17dB min.
Amplitude Balance:	0.4dB max.
Phase Balance:	±6°
Impedance:	50Ω
Average Power:	30W max. 1W max. as combiner

Mechanical

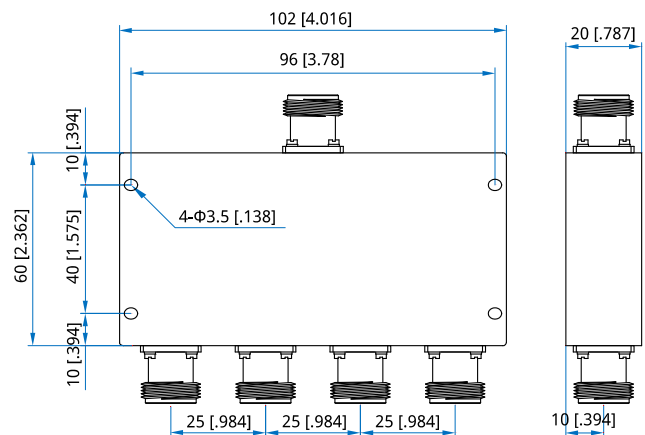
Size*1:	102*60*20mm 2.362*2.717*0.787in
Connectors:	N Female
Mounting:	4-Φ3.5mm through-hole

[1] Exclude connectors.

Environmental

Operation Temperature: -45~+85°C

Outline Drawings



Unit: mm [in]

Tolerance: ±0.3mm [±0.012in]

How To Order

QPD4-2000-18000-30-N

Customization is available upon request.